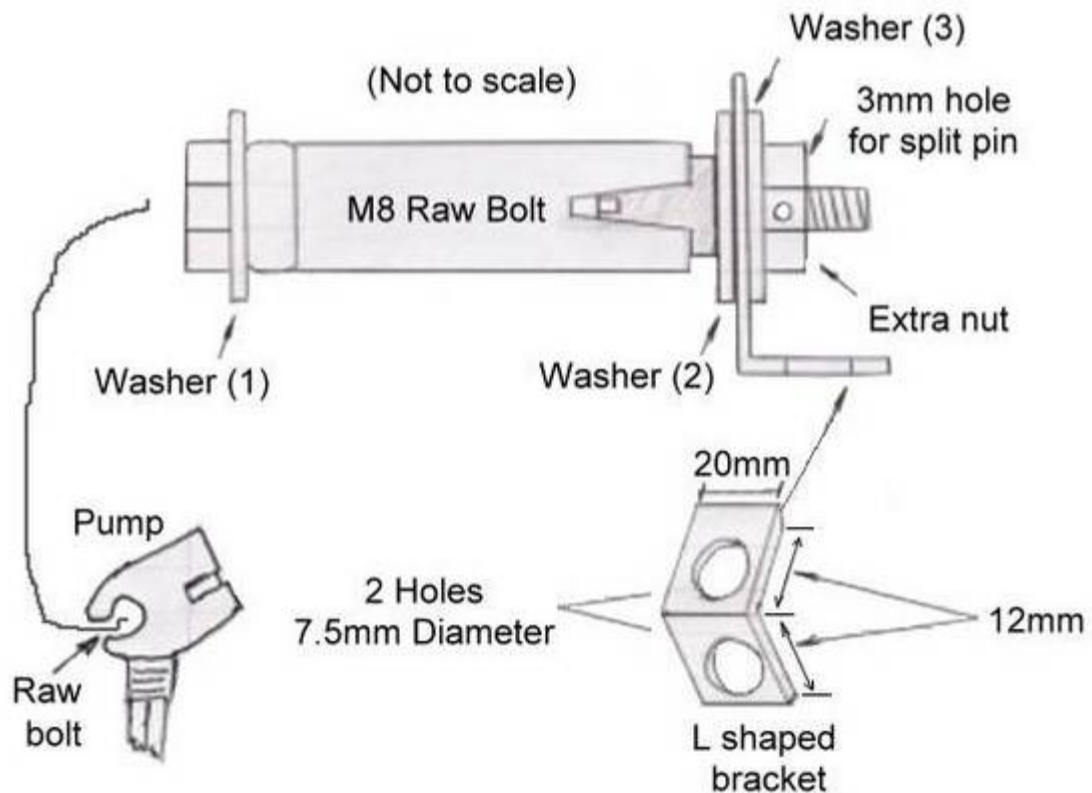


Whale Watermaster Pump lock

By Michael from www.ukcampsite.co.uk 2nd April 2009



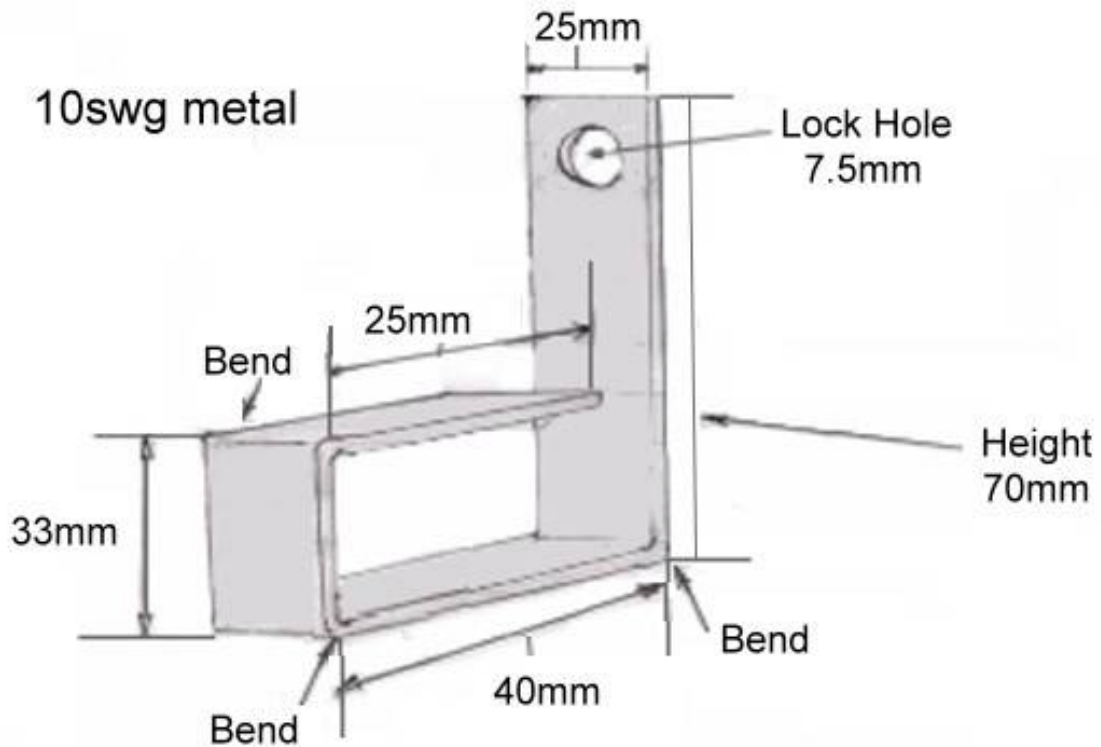
Parts:

- 1 split pin
- 1 M8 x 70mm Raw Bolt
- 1 Nut
- 3 washers
- 1 L shaped bracket

Take the M8 raw plug and add washer 1. Push the raw bolt through the shaped recess that holds the pump at rest. Insert washer 2, then bracket then washer 3 and then add the nut and tighten up to finger pressure only. Put the split pin through the nut and secure. Use a rope type lock through the open hole in the bracket to secure to the caravan chassis.

Whale Watermaster Pump lock

By Michael from www.ukcampsite.co.uk 2nd April 2009



Parts:

1 x 10swg metal x 168mm x 25mm

Take the length of 25mm x 168mm x 10 swg metal and bend to required measurement as above.

Drill 7.5mm hole for lock.

When finished lift up the 25mm section enough to enter the pump pipe behind the van socket. Close with a vice until secure.

The hose fitting is then secured to the caravan chassis using a rope type cycle lock.

