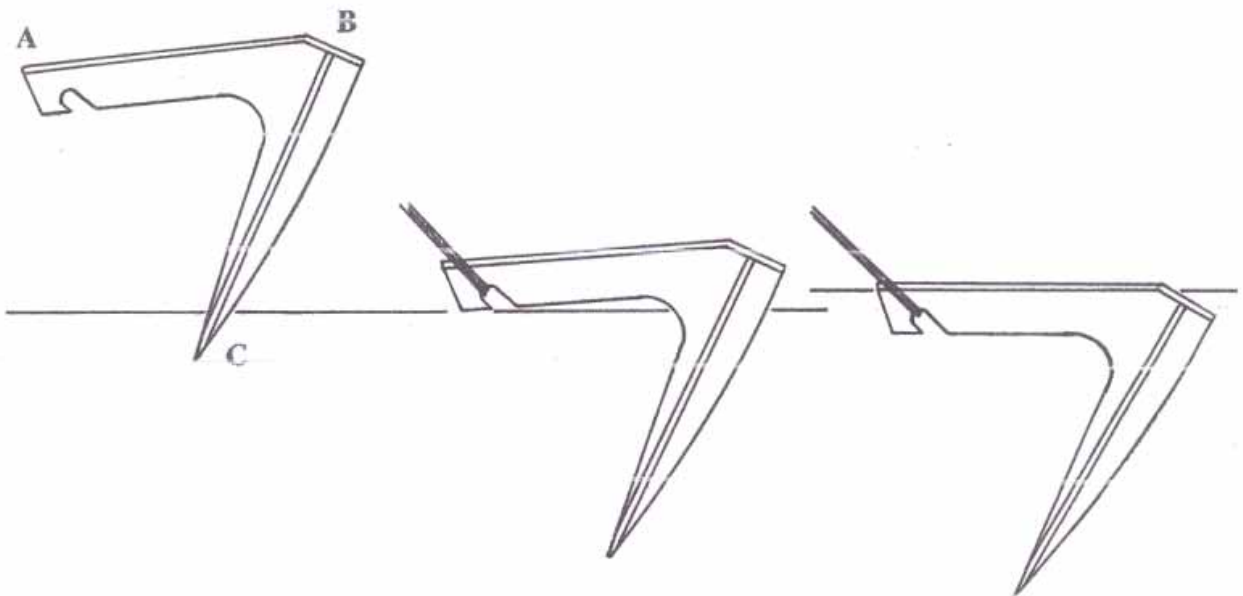


INSTRUCTIONS FOR NYLON AND STEEL ANCHORS.

1. Attach the guy line at point A. Allow at least 200mm between the hook and the toggle.
2. Place point C at the required distance from the tent.
3. Start to insert the peg by striking point B with a mallet until point A touches the ground.
It is important to keep point A slightly lower than point B during insertion.
This will ensure that the peg finally lays level.
4. With the palm, push point A into the soil and hold it there whilst continuing to strike point B until the peg is level with the ground. Adjust guy line tension with the toggle.
5. REMOVAL. Because of the direction of the forces involved, after use, it should be easy to remove the pegs with your fingers. If this proves difficult, loosen the guy line and use it to pull back on point A in the direction CB. As soon as point A is clear of the ground, slightly rotate point A clockwise and anti-clockwise to loosen the soil. Standard tent peg pullers can be used on both plastic and steel versions.



Delta Ground Anchors Ltd
2a Almeria Court Underwood Plympton
Plymouth PL7 1TX UK

Tel. +44(0)1752 342479
Fax. +44(0)1752 217406
www.deltagroundanchors.co.uk
Email: info@deltagroundanchors.co.uk

Company registered in England and Wales no 04392659

Registered office:
Hems Mews, Longbrook Street, Exeter EX4 6AF