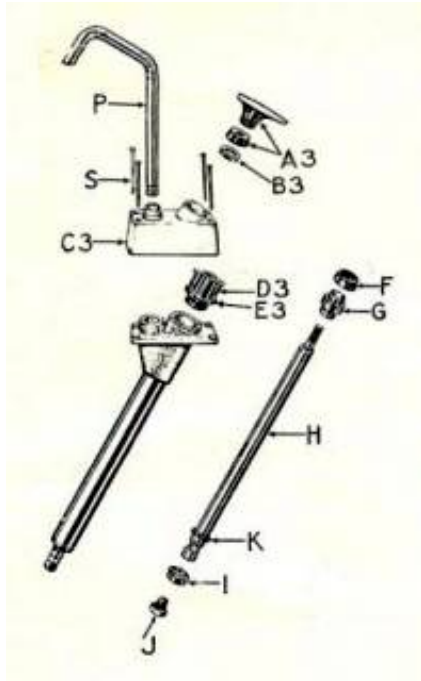


# WHALE ANGLED FRESH WATER PUMP MK III

## INSTRUCTIONS FOR REPLACEMENT OF GLAND AND CUP PACKING



### TO DISMANTLE PUMP

1. Remove Outlet Pipe P by withdrawing vertically.
2. Unscrew Handle A3 and take off Buffer B3.
3. Remove the 4 screws S and lift off the cover CJ.
4. Remove the 2 stews D3 and lid cut Flange E3.
5. Pull out the plunger assembly.
6. Gland Packing F will then slide off plunger Rod H.
7. Cup Packing I may be removed by unscrewing Stud J, care being taken not to lose the ball.

### TO REASSEMBLE PUMP

1. Replace Cup Packing I and tighten Stud J firmly.
2. If distance Collar G has been removed this should be replaced on the Plunger Rod H. Care should be taken that the flatter end towards the bottom.
3. Next slide on new Gland Packing F, making sure that the hollow side faces downwards.
4. Re-insert Plunger assembly in Pump Barrel and secure with Flange E3 and the screws D3.
5. Replace Cover C and screws S.
6. Slide Buffer B3 on to the top of the Plunger Rod and replace Handle pieces A3, screwing well home.
7. Re-insert Outlet Pipe P.

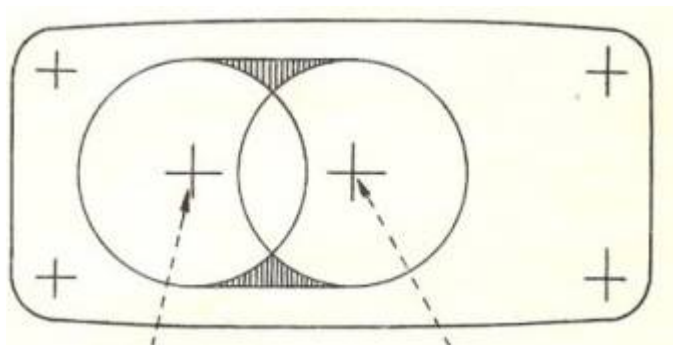
# MUNSTER SIMMS ENGINEERING LIMITED

IMPERIAL HOUSE, DONEGALL SQUARE EAST  
BELFAST NORTHERN IRELAND

### INSTRUCTIONS FOR FITTING PUMP

1. Drill two holes  $1\frac{1}{4}$ " diameter with centres  $\frac{7}{8}$ " apart. (Template on the right will assist in marking out correct centres.)
2. With a chisel or knife remove remaining sections between holes (as shaded on template).
3. Partly withdraw the four screws S from the pump until their points are level with the bottom face of the pump head casting.
4. Place Pump in hole and secure by the four fixing screws S.

### MARKING OUT TEMPLATE



CENTRES FOR THE  $1\frac{1}{4}$ " DIA. HOLES.

